

KIT PART NUMBER 3151080  
APPLICATION: NATIONAL VENDORS COLDTRON 315 MERCHANDISER  
KIT PART NUMBER 6201040  
APPLICATION: NATIONAL VENDORS HOTTRON 620 MERCHANDISER

CHECK THE PARTS RECEIVED IN THE KIT WITH THE PARTS LIST  
IN THESE INSTRUCTIONS. IF ANY PARTS ARE MISSING, CONTACT  
NATIONAL VENDORS' PARTS DEPARTMENT IMMEDIATELY.

Read these instructions carefully and completely before installing the Kit.  
Retain these instructions for part numbers and for future reference.

This Kit contains the following:

Part Number	Description	Quantity
	FOR USE IN KIT 6201040	
6202345	IC Assembly - EPROM - Prog (U2)	1
6202346	IC Assembly - EPROM - Prog (U3)	1
	FOR USE IN KIT 3151080	
3152512	IC Assembly - EPROM - Prog (U2)	1
3152513	IC Assembly - EPROM - Prog (U3)	1
	COMMON TO BOTH KITS	
3151081	Installation Instructions	1

#### IMPORTANT

*To minimize Controller damage due to electro-static discharge, observe proper static elimination procedures.*

*Record all machine settings BEFORE replacing the EPROMS. Depending on the revision level of the EPROM replaced, some operating parameters may be affected and must be reprogrammed after EPROM replacement.*

#### INSTALLING NEW EPROMS (Refer to Figure 1)

1. Turn main power switch to the OFF position.
2. Remove the cover of the Door Controller.
3. Locate EPROMS U2 and U3.
4. Carefully remove U2 and U3 using an IC Extractor.
5. Install the new EPROMS.

#### NOTE

*IMPROPER INSTALLATION MAY CAUSE  
PERMANENT DAMAGE TO THE EPROMS.  
SEE FIGURE 1 FOR CORRECT  
ORIENTATION.*

6. Replace the Cover of the Door Controller.
7. Turn main power switch to the ON position.

**PROGRAMMING FEATURES**

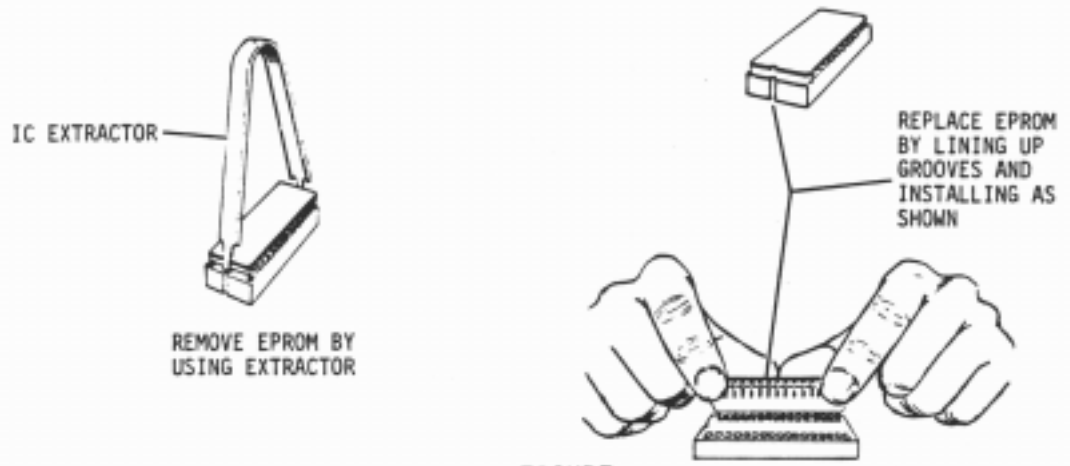
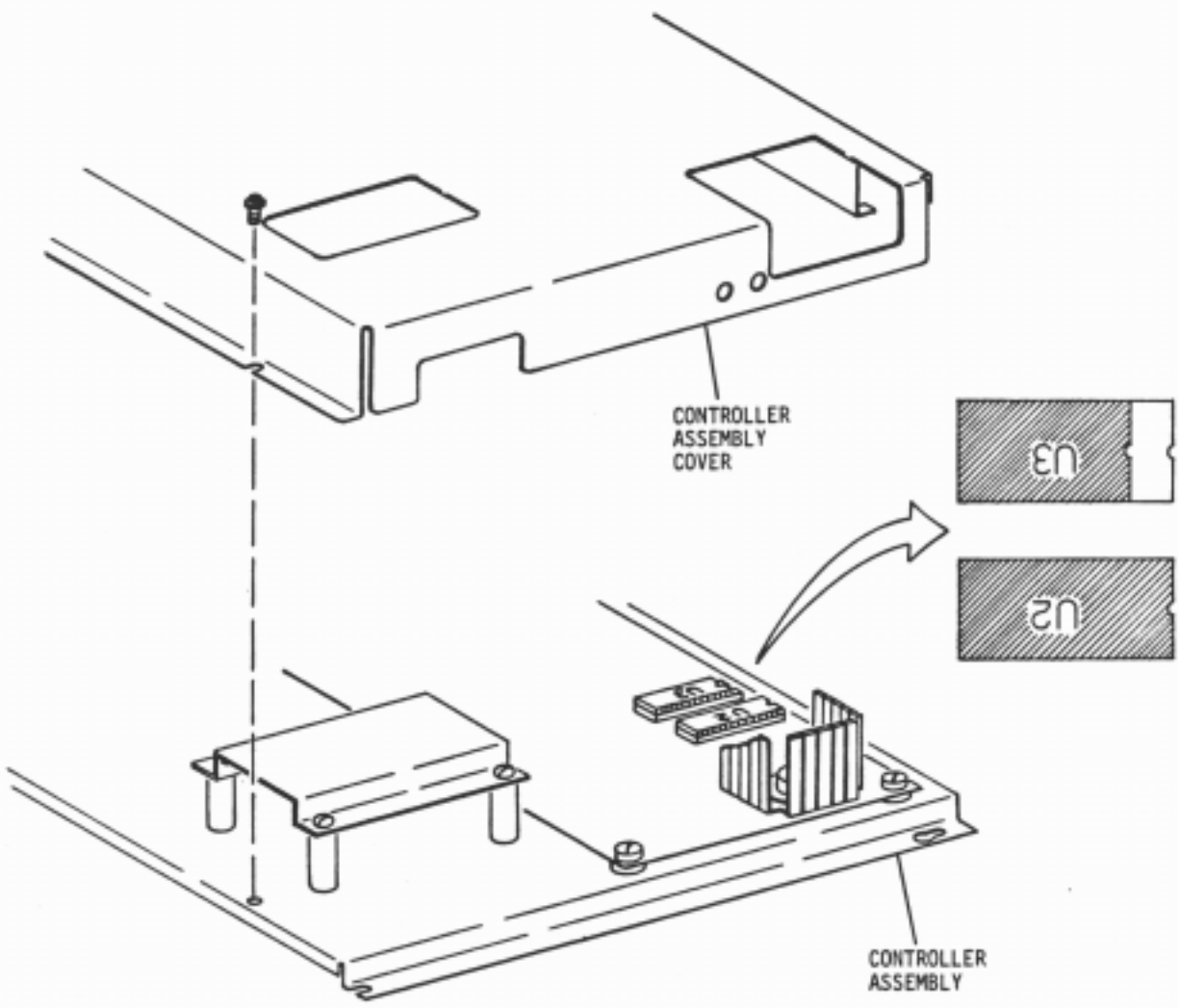
This special software lets you set prices by Price Line. As a result, new procedures must be followed when you want to set prices or recall data.

**A. Price Setting**

In the Price Setting mode, you will first set the prices for as many as four a different price lines. You will then assign each of the products to one of the price lines. Follow the normal procedure for accessing the Price Setting mode.

WHEN THE DISPLAY SHOWS . . .		YOU SHOULD . . .	
<b>HOTTRON</b>		<b>COLDTRON</b>	
PRICE		PRICE	PRESS THE # KEY TO ADVANCE THROUGH THE LIST.
LINE 1 X.XX		LINE 1 X.XX	ENTER A PRICE FOR EACH LINE.
LINE 2 X.XX		LINE 2 X.XX	THE ALLOWABLE RANGE IS \$0.00
LINE 3 X.XX		LINE 3 X.XX	-12.75; INCREMENTS OF \$.05.
LINE 4 X.XX		LINE 4 X.XX	
FBCOF X		PRC 1 X	ENTER 1,2,3 OR 4 TO SET ONE OF
FDCOF X		PRC 2 X	THE ABOVE PRICE LINES AS THE
FBDEC X		PRC 3 X	PRICE FOR THE SELECTION SHOWN.
FDDEC X		PRC 4 X	
TEA X		PRC 5 X	
SOUP X		PRC 6 X	
CHOC X		PRC 7 X	
		PRC 8 X	
		PRC 9 X	
WIN XXXX		WIN XXXX	
NO ESCROW		NO ESCROW	

Complete a TEST VEND or a FREE VEND for one selection in each of the price lines. This will set the counters.



FIGURE

## B. Data Recall

The Data Recall mode will initially display vend counts for each of the price lines. Normal data counters will be displayed following these. Follow the normal procedure for accessing the Data Recall mode.

WHEN THE DISPLAY SHOWS . . .		YOU SHOULD . . .
HOTTRON	COLDTRON	
DATA	DATA	PRESS THE # KEY TO ADVANCE THROUGH THE LIST.
CT1 XXXXXX	CT1 XXXXXX	RECORD THE VEND COUNT FOR EACH PRICE LINE SHOWN - THEN PRESS # TO ADVANCE TO THE NEXT COUNT.
CT2 XXXXXX	CT2 XXXXXX	
CT3 XXXXXX	CT3 XXXXXX	
CT4 XXXXXX	CT4 XXXXXX	
WCT XXXXXX	WCT XXXXXX	RECORD THE WIN COUNT.

- . These counters are NON-RESETTABLE. You should record the present values for your base-line figures.
- . Normal Data Counters will follow these counts.